

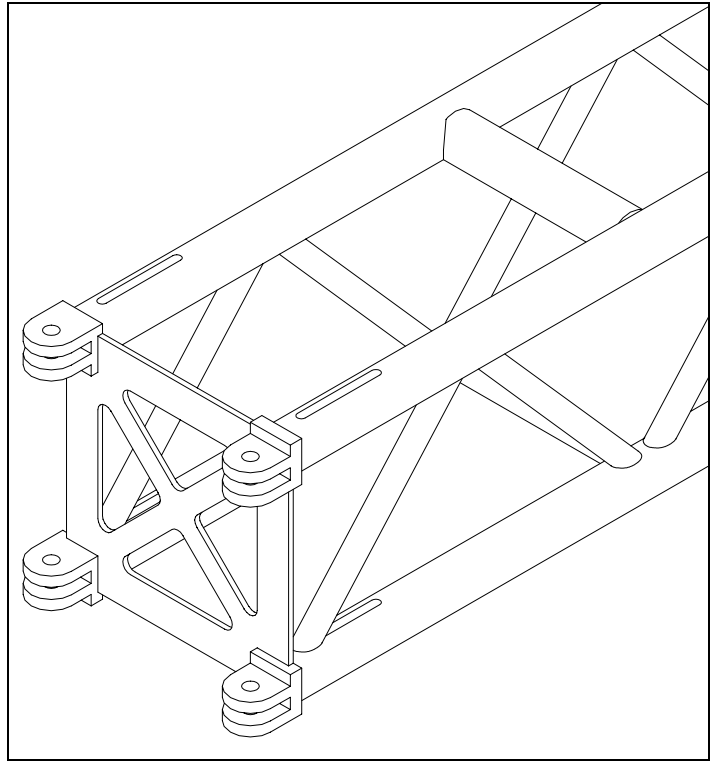


ENGINEERING

SUPERTRUSS 12 x 12

The revolutionary truss designed to offer all the advantages of the 20.5" Supertruss in a 12" x 12" layout. The 12" x 12" Supertruss provides a substantial increase in load bearing capacity over the existing GP 12" x 12" truss. The main chords of the truss are made from 2" x 0.157" 6061-T6, and the diagonals are 1" x 0.125".

PRODUCT CODE	DESCRIPTION	WT lbs
B1260A	12' Section	87
B1261	10' Section	72
B1262	8' Section	67
B1263	6' Section	51
B1264	5' Section	42
B1265	2' 6" Section	27
B1200A	60 Degree corner gate	14
B1201	90 Degree corner gate	8
B1203	135 Degree corner gate	5
B1204A	3 Way gate/ 120° gate	8
B1204B	3 Way gate with lifting point	8
B1208	Square support plate	4
B1211	12" Super-truss to GP 12" x 12" adaptor gate	7
G6671A	12" Supertruss pin extraction tool	7



Allowable Load Data	Maximum Allowable Uniform Loads		Maximum Allowable Center Point Loads		
	Span feet (meters)	Loads pounds (kgs)	Maximum deflection inches (mm)	Loads pounds (kgs)	Maximum deflection inches (mm)
	10 (3.048)	8496 (3854)*	0.20 (5)	7348 (3333)	0.20 (5)
	20 (6.096)	7255 (3291)	1.50 (38)	3628 (1646)	1.50 (38)
	30 (9.144)	3324(1508)	2.20 (56)	1662 (754)	2.20 (56)
	40 (12.192)	1695 (769)	2.95 (75)	848 (385)	2.95 (75)
	50 (15.24)	888 (403)	3.70 (94)	445 (202)	3.70 (94)

LOADING FIGURES show maximum loads between supports in addition to self weight of truss. Information extracted from structural report by Broadhurst, Goodwin & Dunn for Super-truss manufactured after November 1993. * Denotes load limited to suit maximum shear capacity. All loads include 20% overload factor for dynamic effects.

